

Gericke Elbow Type GB

- Abrasion resistant
- Compact design

The patented deflection chamber reduces turbulence and friction. This results in gentle conveying of the product, avoiding formation of angel hair and reducing pipe wear.

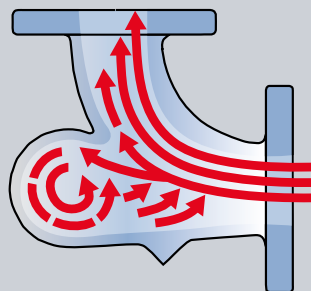
Area of application:

- For pneumatic dense and lean phase conveying of granules, grains, grits, sand and powder
- For vacuum and positive pressure conveying
- For the conveying of slurries and suspensions

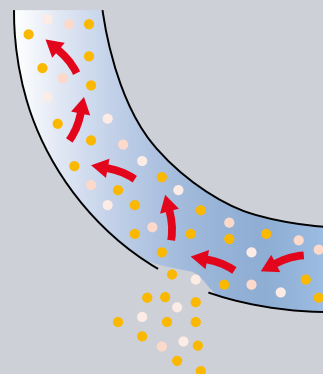
Advantages:

- Less pipe wearing
- Less friction and heating of the product and pipe wall
- Avoiding formation of angel hair
- Reduction of noise pollution
- Automatic self-purging
- Little pressure drop
- Low costs for pipeline support and installation, thanks to compact design
- Fast delivery time
- Fast Installation
- Reduces plugging

With Gericke Elbow



Without Gericke Elbow



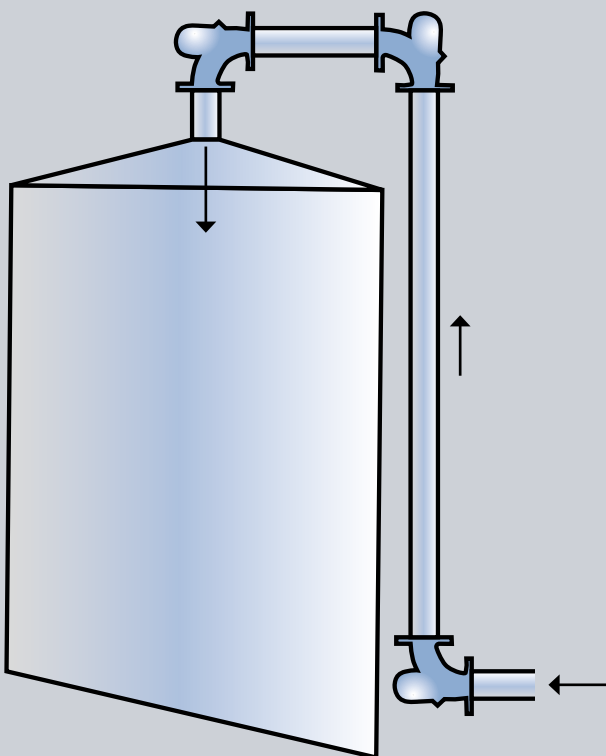
Gericke

Powder Processing Equipment and Systems

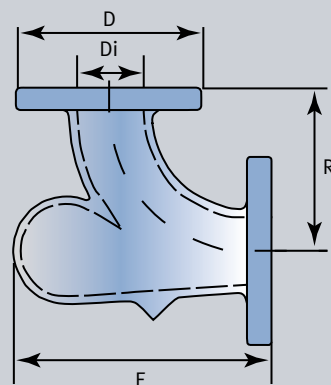


Specifications

Function	<ul style="list-style-type: none"> The direction of conveyed material is changed without impact on either the elbow wall or a mass of compacted material. A slow rotating, self-renewing ball of material suspended in air deflects the stream of conveyed material smoothly without severe elbow wear or particle damage and without additional energy. Additional air-purging connection available.
Self Purging	<ul style="list-style-type: none"> Automatic self-purging design at speeds above 15 m/s eliminates cross contamination.
Material	<ul style="list-style-type: none"> Modular cast iron GGG-70 Stainless steel 1.4408
Technical Data	<ul style="list-style-type: none"> Flange dimensions EN 1092 (ANSI Flange on request) Pressure range: -1 to +6 bar



Type	DN	Pipe di	R	E	D	Weight appr. kg
GB 50/90	50	55	16	230	165	9
GB 65/90	65	70	175	263	185	13
GB 80/90	80	83	197	297	200	16
GB 100/90	100	102	221	363	220	25
GB 125/90	125	127	256	467	250	43
GB 150/90	150	151	287	535	285	60
GB 200/90	200	211	356	671	395	120



Switzerland ...
Gericke AG
T +41 44 871 36 36

Great Britain ...
Gericke Ltd.
T +44 16 13 44 11 40

France ...
Gericke SAS
T +33 1 39 98 29 29

Brasil ...
Gericke Brasil Ltda.
T +55 11 2598 2669

China ...
Gericke
(Shanghai) Pte Ltd.
T +86 21 5382 0108

Germany ...
Gericke GmbH
T +49 77 31 929 0

Rota Val Ltd.
T +44 12 49 65 11 38

Netherlands ...
Gericke B.V.
T +31 33 25 42 100

Singapore ...
Gericke Pte Ltd.
T +65 64 52 81 33

Gericke
Powder Processing Equipment and Systems

www.gericke.net