



innovation

Micro-Auger

Precise Powder Filling



Designed to meet increasing demand for high-accuracy, precision powder filling in clean and sterile environments.

Micro Auger Powder Filling—Overview

3P's Micro auger offers fill weight flexibility and the ability to fill a wide variety of devices including reconstitutable injection devices, vials, cartridges, syringes, inhalers and sachets.

Configurable volumetric or gravimetric filling

The volumetric system can be used in conjunction with a check weigher to provide feedback control for free flowing powders.

The gravimetric system excels with more cohesive powders, using a high speed weigh cell for real time feedback. It dynamically measures and records the dispensed weight of all doses. This allows for compensation to changes in powder properties, such as density, in real time and without user intervention or re-calibration.

Higher Quality, lower waste

Quality is enhanced with reduced dose weight variability, lower reject levels and 100% weight recording. Dispensed weight related batch rejection is eliminated.

Lower Risk

The Micro Auger system provides a Lab2Line solution offering scalability from clinical supply through to commercial production limiting scale up risks.

Product Features

- High accuracy
- Gravimetric or Volumetric Options
- For use in Clean room and Aseptic environments
- Suitable for Medical device filling applications (e.g. Inhalers, vials, syringes, sachets)
- Multi head Options
- FDA approved materials
- Autoclaveable filling head

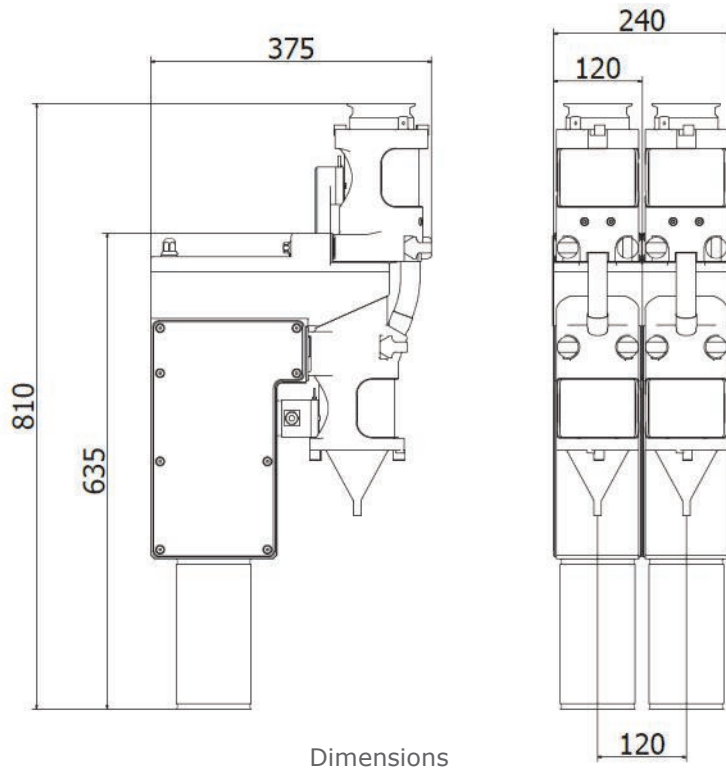
Specification

- Configurable dose: 100mg to 10g
- Dosing accuracy <3% RSD
- Dosing cycle time 2 to 5 secs
- Weigh Cell Option
 - Tare weight up to 40g
 - Weighing resolution—10µg
 - 100% weight verification
 - 21CFR11 option
- Hopper capacity 7000mg—bulk feeding options
- 0% compaction of powder

Micro-Auger: Precise Powder Filling



3P innovation : Micro Auger Precise Powder Filling



*For all your **P**roduct **P**rocess and **P**roduction Innovation*



3P innovation Ltd is a successful engineering, automation and consultancy company based in the UK and focused on the supply of bespoke machinery and production solutions to an array of industry sectors.

3P's services range from product to production development including design for manufacture input, test rig development, bespoke, batch or low volume assembly equipment, test and evaluation expertise and scalable powder handling solutions.

3P's structured lab2line methodology is supported by our unique integrated working approach, through the extensive experience of 3P engineers. This combined expertise includes many decades of industrial design and process engineering within the fast moving consumer goods, medical device and pharmaceutical industries.

